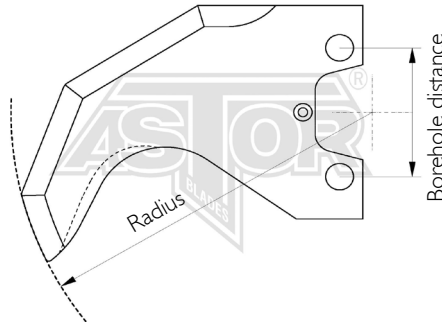
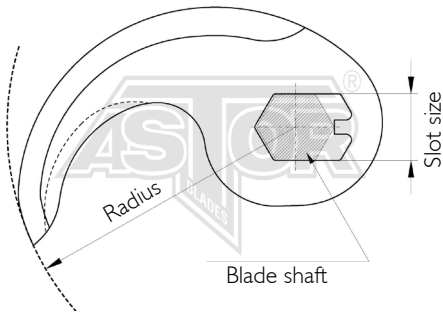


Dear Customer,

We have a wide range of bowl cutter blades which are used in the food industry. In order to facilitate the identification of bowl cutter blades you require, we would like to ask you to specify the following characteristics.

If your blade is not listed, please send us a drawing/dimensioned sketch or a photo of front and rear side of the blade. In case of doubts, please send us a sample.



General information

Please specify the manufacturer and the type of machine	
Please specify the item number of the manufacturer	
Please choose a shape of blade (Picture 1-6)	
Please choose a shape of slot (Picture 1-6)	
Please specify the radius (see picture above)	mm
Please specify the slot size or the borehole distance (see picture above)	mm
In case of closed slot: please specify if the slot is with nose (Picture 1) or without a nose (Picture 2)	
Does the blade get thinner towards the blade point? (yes/no)	
Please specify the maximal thickness of the blade in the slot area	mm

Special features of the blade

Groove (grooves) on the reverse side (Picture 7) - (yes/no)	
Rills on the reverse side (Picture 8) - (yes/no)	
Blade with holes (Picture 9) - (yes/no)	

