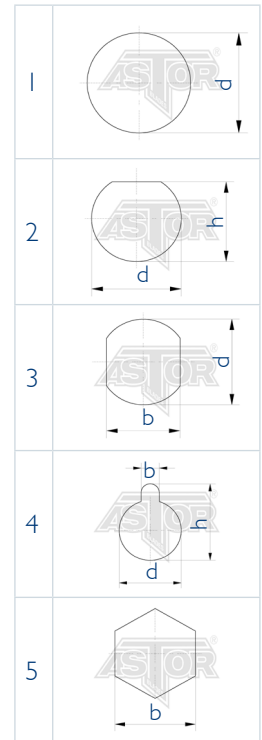
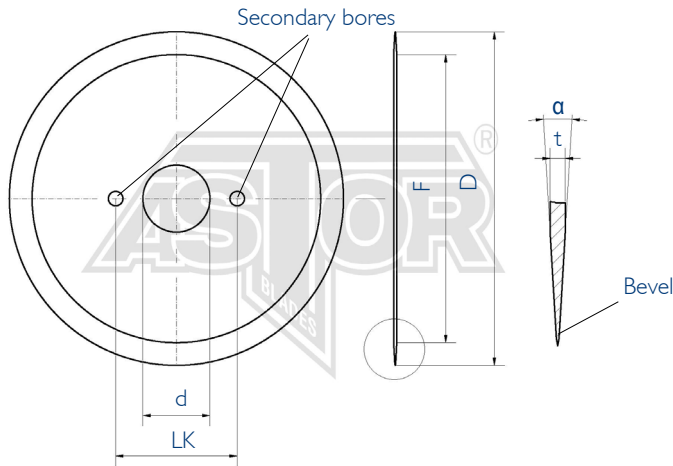


Dear Customer,

We have a wide range of circular blades which are used in the food industry. In order to facilitate the identification of circular blades you require, we would like to ask you to specify the following characteristics.

If your blade is not listed, please send us a drawing/dimensioned sketch or a photo of front and rear side of the blade. In case of doubts, please send us a sample.



Please specify the diameter, D		mm
Please specify the mirror diameter, F		mm
Please choose between single and double bevel		
Please specify the bevel angle, $\alpha$		°
Please specify the thickness, t		mm
Please specify the material (if known)		
Please specify the number of secondary bores		No.
Please specify the bolt circle diameter, LK		mm
Please specify the bores/threads diameter		mm
Please specify the number of bores/threads		No.

### Fixing holes

Please choose among Pictures 1 - 5

Variant:

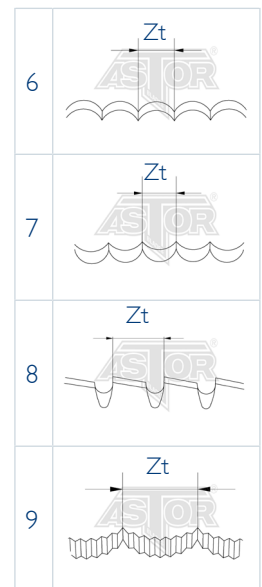
Fixing hole size	d	<input type="text"/>	mm
	h	<input type="text"/>	mm
	b	<input type="text"/>	mm

### Toothing

Please choose among Pictures 6 - 9

Variant:

Tooth pitch, Zt:  mm



### Material being cut

Please specify the material being cut, if possible

### Surface finish

Please choose the required surface finish