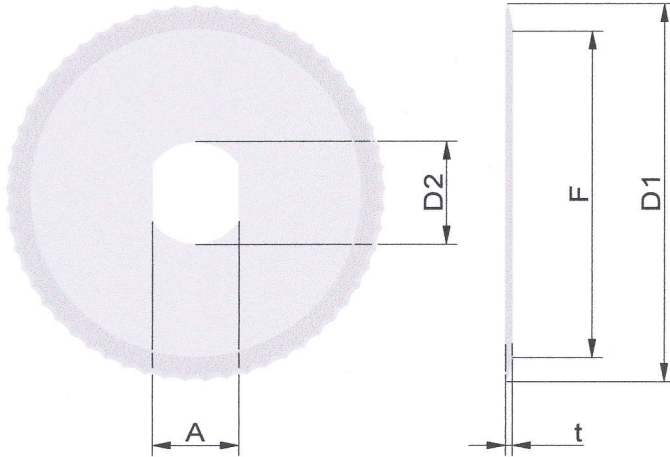


Circular Blades



Toothing, Hollows, Slots



To generate a production drawing we need the following information

Shape of toothing	
Tooth / Hollow pitch	
single grind	
double grind	

Custom made blades according to customer specifications possible
Depending on the field of application, we offer different surface treatments, for example:

- sanded
- slide grinded
- electropolished
- coated

Please get in touch with us, we are happy to help.

