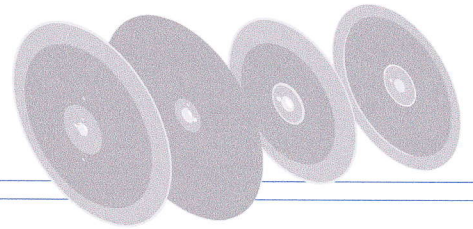
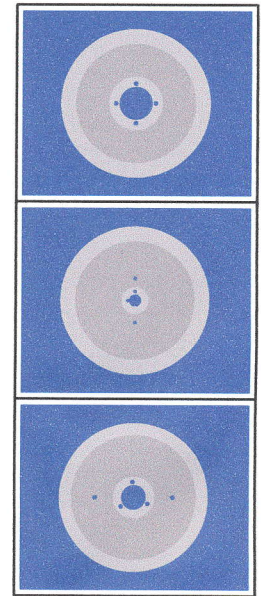
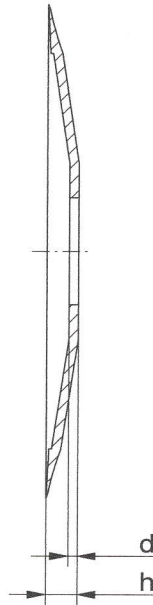


# SLICING BLADES

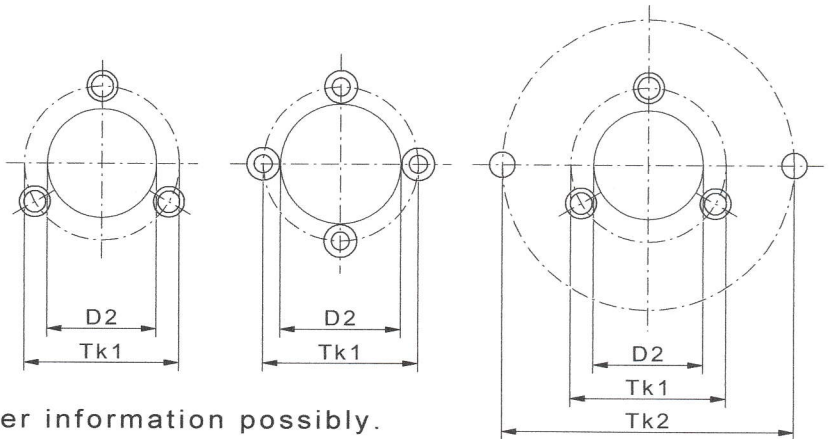


**Slicing blades: BIZERBA, BERKEL, GLOBE, GRAEF, HOBART, MANCONI, MOBBA, OMAS, SAM, SCHARFEN, TOLEDO, u.a.**



**To generate a production drawing we need the following information:**

D1	Diameter	
D2	Fixture	
TK1	reference circle/ pitch circle	
TK2		
TK1	How many	
TK2	Holes	
h	Height	
d	Thickness	



Manufacturing according to her information possibly.

According to use (application), we also offer different surface treatments.

- corrosion-resistant  hard chromed  - coated

A selection of our tooting varieties



We can as well :  
 Bowl chopper blades/Chopper blades/  
 Skinner blades/Blades for frozen goods/  
 Circular slicer blades/Circular blades/Injector needles/  
 Slaughterhouse blades/  
 Punchen/Packaging blades/  
 Customized blades

Astor Schneidwerkzeuge GmbH  
 Lebbiner Straße 18  
 D-15859 Storkow  
 Tel.+49 33 678 649-0  
 Fax +48 33 678 649-22  
 info@astorblades.de  
 www.astorblades.de