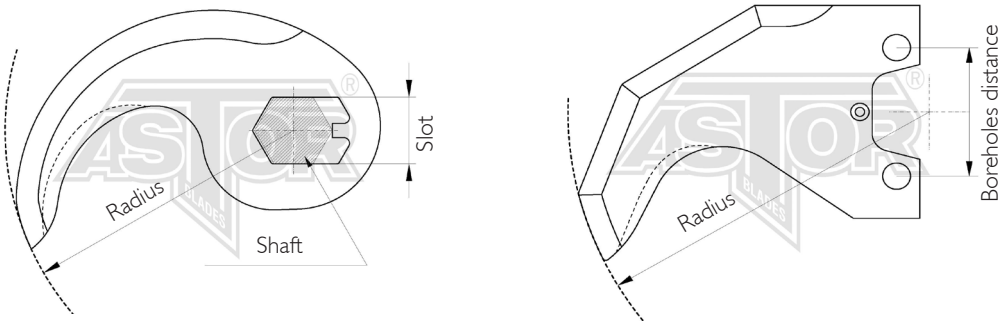


We have a wide range of bowl cutter blades which are used in the food processing industry.

In order to facilitate the identification of bowl cutter blades you require, we have developed an order form. All the essential characteristics you find below, will be needed for a clear identification of your blade.



### General Information

Manufacturer and type of machine	
Shape of blade (Picture 1-6)	
Shape of fixture (Picture 1-6)	
Radius (see sketch above)	
Slot or distance between boreholes (see sketch above)	
If closed slot: with or without nose	
Thickness	

### Rear side of the blade

Groove (Picture 7)	
Rills (Picture 8)	
Blade with holes (Picture 9)	

If you have any doubts, please send us a sample. If it is not possible, a photo from both sides or a sketch of front and rear side is helpful.

If your blade is not listed, please send us a dimensioned sketch of front and back side.

